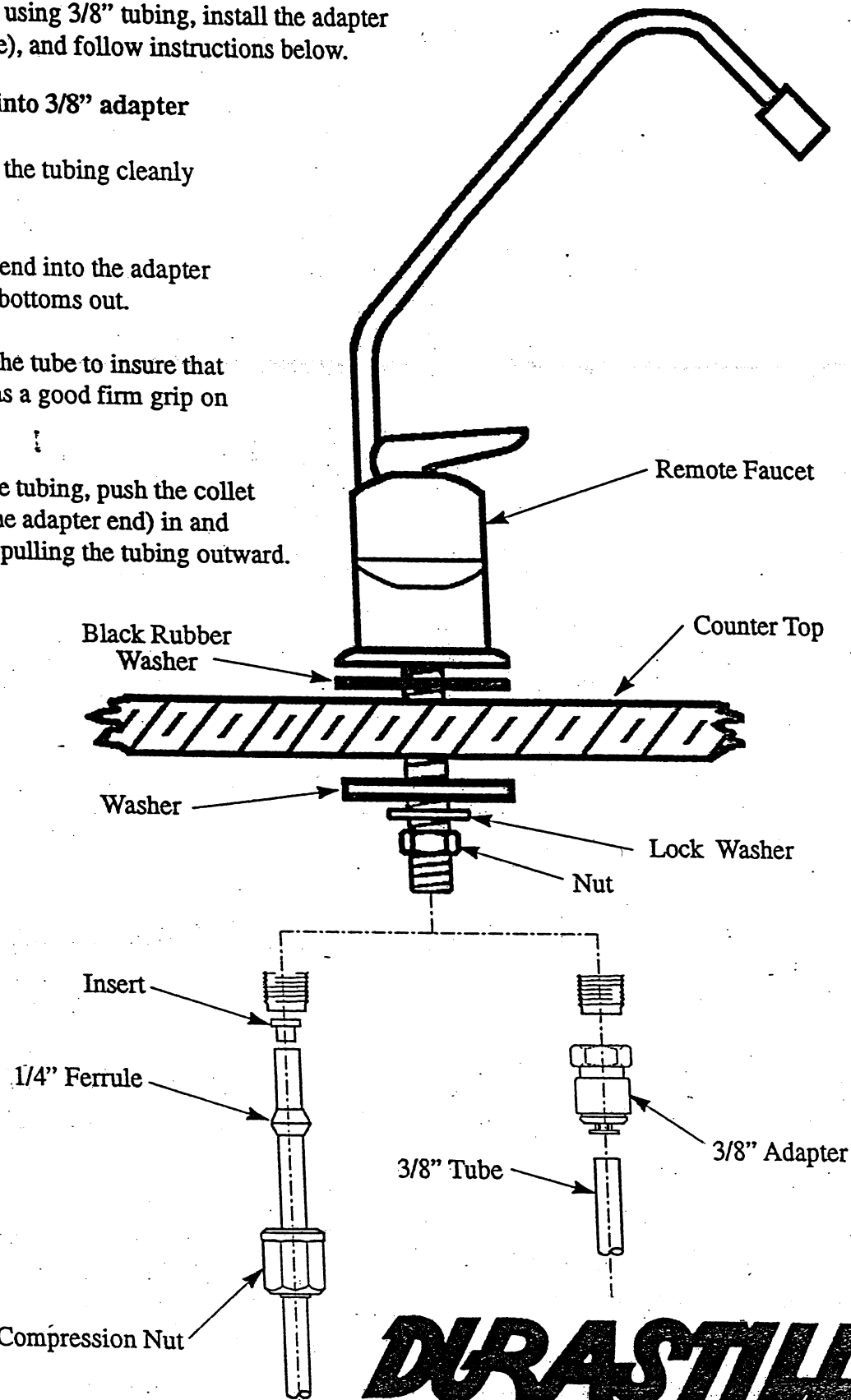


# Remote Faucet

**Notice:** If you are using 3/8" tubing, install the adapter (see figure), and follow instructions below.

To install tubing into 3/8" adapter

1. Cut the end of the tubing cleanly at a 90° angle.
2. Push the tube end into the adapter until the tube bottoms out.
3. Pull back on the tube to insure that the adapter has a good firm grip on the tubing.
4. To remove the tubing, push the collet (located on the adapter end) in and hold it while pulling the tubing outward.



**DURASTILL**  
 4200 NE Birmingham Rd. • Kansas City, MO 64117  
 (816) 454-5260 • FAX (816) 452-7581

**DURASTILL** INC. Leadership in Drinking Water Distillers  
 Design • Durability • Dependability

## Free Standing Remote Faucet System

When the installation of a Durastill water distiller and storage tank requires its location to be remotely located from the distilled water output, the Durastill Free Standing Remote Faucet System (FSRFS) should also be installed. The use of a FSRFS will allow the user to connect one or more water outlets (e.g. one or more faucets, water fountain adapters, ice makers, etc.) to a distilled water distribution network.

The FSRFS consists of a demand pump, activated charcoal filter, and a pulsation elimination chamber, mounted on a painted steel frame. The demand pump has a self-contained pressure switch that activates the pump when the water pressure in the system falls below a factory preset level. The filter assembly contains an activated charcoal filter which absorbs any air or gaseous elements that may have redissolved in the condensed distilled water. The purpose of the pulsation elimination chamber is to eliminate the rapid cyclic operation of the demand pump. Also included is a stainless steel faucet, 50 feet of 3/8" tubing and appropriate fittings to allow the FSRFS to be connected to any Durastill storage unit (counter top storage units excluded).

The operation of the FSRFS allows the demand pump to compress a volume of air inside the pulsation elimination chamber. The compressed air then provides sufficient pressure to force the distilled water to the faucet. When the faucet is opened, the pressure in the chamber will decrease gradually until the demand pump turns on and repressurizes the chamber. This process maintains a relatively steady flow of distilled water at the faucet. Without a pulsation elimination chamber when there is little or no air in the chamber, the demand pump may turn on and off at a high cyclic rate eventually leading to a reduced life expectancy for the pump.

The FSRFS should require little maintenance. The air within the chamber will eventually dissolve into the water and the pulsation eliminator chamber will require draining to replace the air. This will happen every one or two months depending upon usage. The filter cartridge should be checked initially when draining the pulsation eliminator chamber the first time, and periodically thereafter to determine if replacement is needed. Replacement cartridges can be ordered from a Durastill dealer.

To drain the pressure chamber, follow the instructions below:

1. Unplug the demand pump.
2. Open the faucet to depressurize the system.
3. Place a bucket or similar container under the pulsation eliminator chamber.
4. Remove the thumb bolt plugs from the bottom and side of the pressure chamber.
5. At this time the filter cartridge can also be checked to see if replacement is necessary.
6. After the chamber is completely drained, replace the thumb bolt plugs, close the faucet, plug in the demand pump and check system for leaks. The system should be operational.

# Free Standing Remote Faucet System (FSRFS)

## Installation:

1. Check parts package against parts list.
2. The filter cartridge must be installed before using the Free Standing Remote Faucet System.
  - \* Unscrew the lower filter housing.
  - \* Remove the filter cartridge.
  - \* Discard the protective plastic wrap covering the filter cartridge.
  - \* Screw the filter cartridge into the head of the filter housing.
  - \* Replace the lower housing.
3. Install the elbow onto the filter outlet by threading the smaller 3/8" end into the filter head. **Stop tightening** when the fitting begins to "squeak". Over tightening will crack the filter head.
4. Connect the pump inlet to the storage unit with the 3' of tubing and appropriate fittings. The assembly of the fitting used on the 20 liter, 40 liter, 96 liter and 80 gallon storage tank is shown in Figure 2.
5. The remaining end of the 3' tubing is connected to the top fitting of the pump with a QBFNCR-1 fitting, see Figure 1. The assembly of the QBFNCR-1 fitting is shown in Figure 2.
6. The Stainless Steel Faucet is connected to the distilled water line (3/8" tubing) with a quick connect fitting (3/8" adapter).
7. The water outlet (on the filter) is then connected to the other end of the distilled water line (3/8" tubing) with a QBFNCR-1 fitting.
8. Be sure the storage unit contains distilled water before connecting the Free Standing Remote Faucet System power cord to an electrical outlet.

## Parts provided in Parts Package: 400271

Part #	Item	Quantity
100070	Teflon Ring	(2)
400116	3/8" O.D. Tubing, 50' roll	(1)
107008	3/8" O.D. Tubing, 3' piece	(1)
400114	Stainless Steel Faucet	(1)
300207	Fitting Brass Nickel Plated 3/8" C Nut	(1)
300220	Insert Brass 1/4" O.D. (C63P)	(3)
300222	Sleeve 3/8" Delrin	(1)
300251	Nut / Ring / Cone Set (QBFNCR-1)	(6)
300266	Elbow 1/2" x 3/8" (QE32T)	(1)
300327	Quick Connect Fitting (3/8" Adapter)	(1)

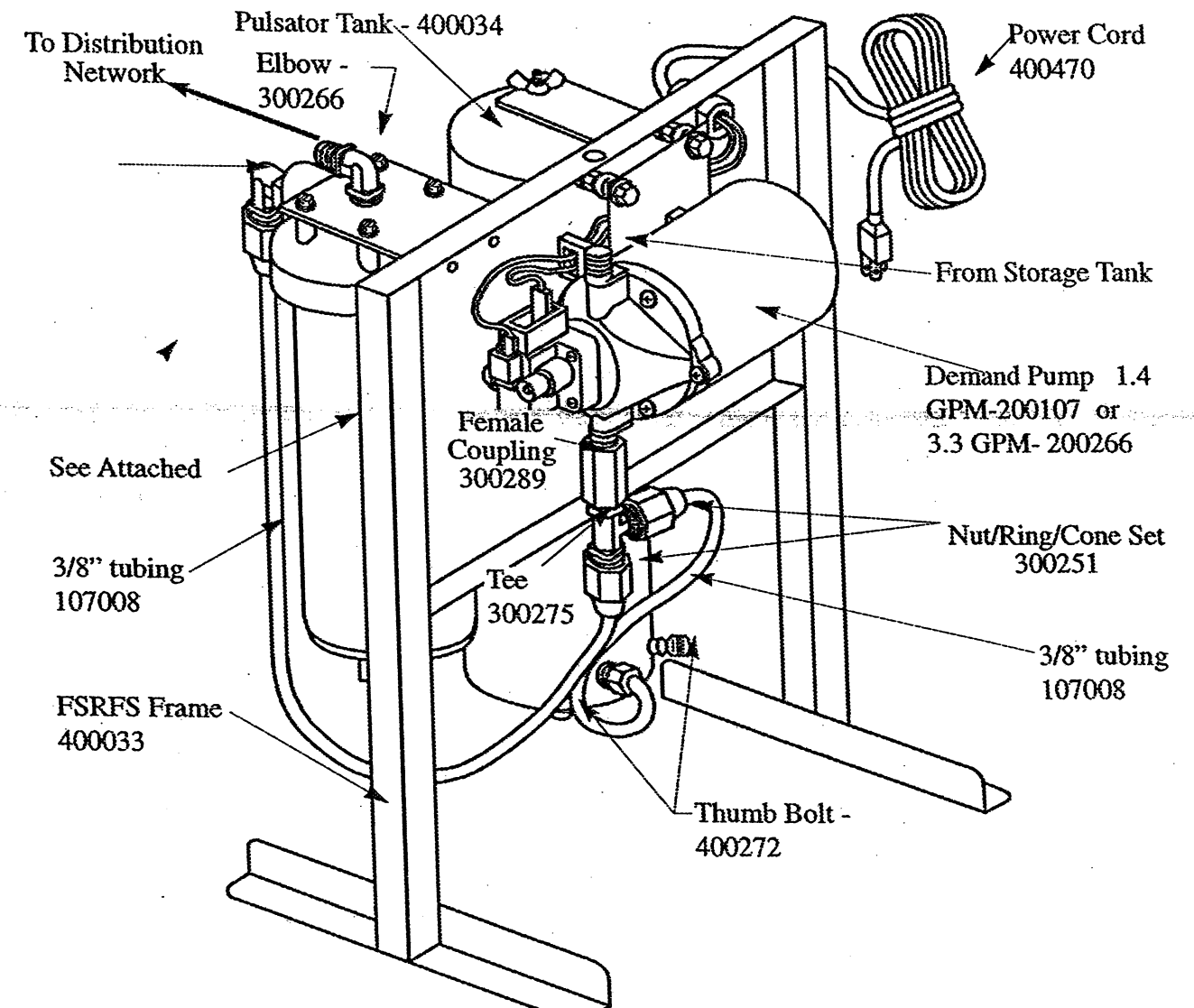


Figure 1. Free Standing Remote Faucet System (FSRFS)

